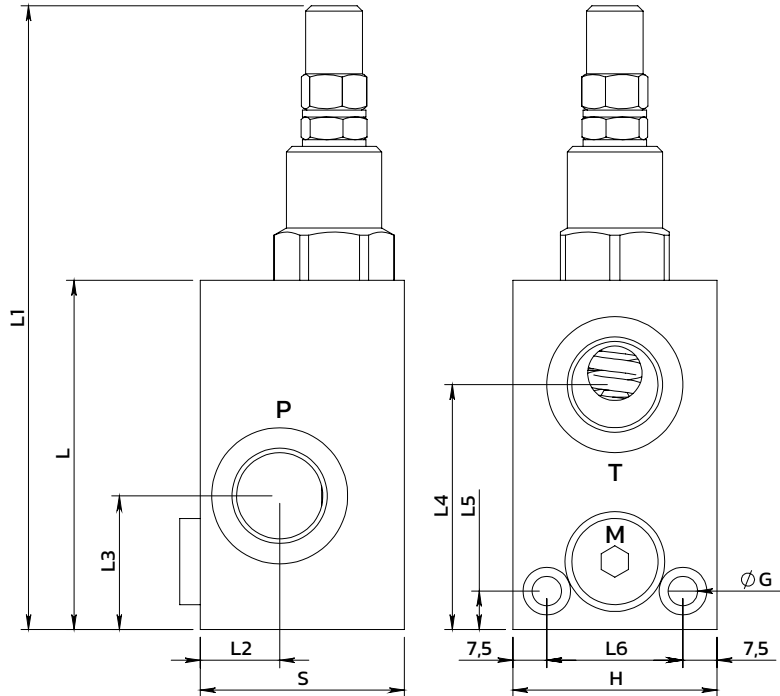
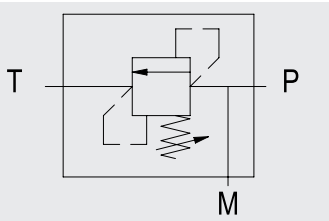
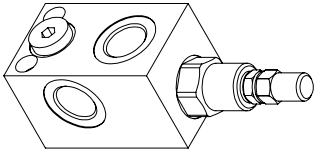
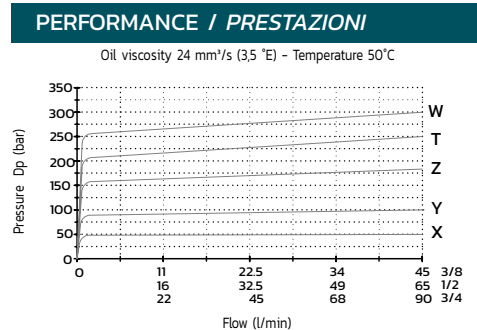


## Relief valve in manifold with manometer port

*Valvola di massima pressione in collettore con attacco manometro*



SPECIFICATIONS / SPECIFICHE	
Fluid viscosity / Viscosità Fluido	ISO 3448
Filtration / Classe di contaminazione	ISO 4406
Fluid temperature / Temperatura fluido	-20°C +90°C
Ambient temperature / Temperatura ambiente	-20°C +50°C
Max operating pressure / Pressione di lavoro max	350 bar
Standard seals / Guarnizioni standard	NBR 70 Shore A
Manifold material / Materiale collettore	Zinc plated steel



### ORDERING CODE / CODICE ORDINAZIONE

**10 L 00 C02 3 R \*\* \***

Adjustment		Ports size		Setting range (bar)		Std setting at 5 l/min (bar)	
R	Screw with steel cap (Std)	03	3/8 BSPP	X	10-50	30	
N	Tamper resistant cap	04	1/2 BSPP	Y	20-100	70	
O	Handknob and locknut	05	3/4 BSPP	Z	10-180 (Std)	90	
				T	50-250	130	
				W	80-300	150	

Standard code	Thread (P-T)	M	L	L1	L2	L3	L4	L5	L6	G	H	S	Weight kg	Max Flow (l/m)
10LOOC023R03Z	3/8	1/4	72	134	15	26	49.5	8.5	26	6.5	40	40	0.8	45
10LOOC023R04Z	1/2	1/4	77	139	17.5	29.5	54	8.5	30	6.5	45	45	1.0	70
10LOOC023R05Z	3/4	1/4	92	154	20	35	68	10	32	8.5	50	50	1.5	90

\* On request versions: Please, contact our customer service / Versioni su richiesta: Per cortesia contattare il ns. servizio clienti.